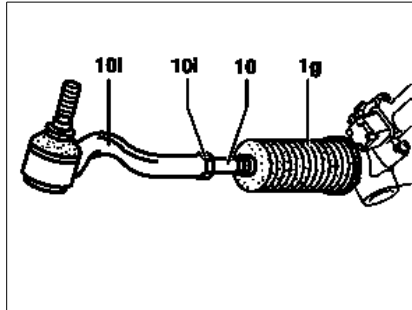
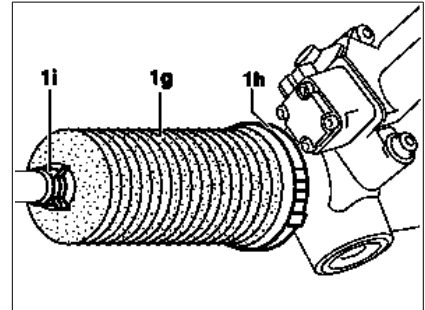


- MODEL 168
- MODEL 203
- MODEL 210
- MODEL 211.004 /006 /007 /008 /016 /020 /022 /023 /026 /028 /029 /041 /042 /052 /054 /056 /061 /065 /070 /072 /076 /077 /080 /082 /083 /084 /087 /089 /090 /092 /206 /208 /216 /220 /222 /223 /226 /241 /242 /254 /256 /261 /265 /270 /272 /276 /277 /280 /282 /283 /284 /287 /289 /290 /292 /606 /608 /616 /620
- MODEL 215
- MODEL 220
- MODEL 230
- MODEL 414
- MODEL 209

1g Bellows  
 10 Tie rod  
 10l Tie rod end



P46.40-0213-01



P46.40-0212-01

	Checking		
<input type="checkbox"/>	<b>Danger!</b>	<b>Risk of death</b> caused by vehicle slipping or toppling off of the lifting platform.	Align vehicle between columns of vehicle lift and position four support plates at vehicle lift support points specified by vehicle manufacturer.
1	Switch off ignition		AS00.00-Z-0010-01A
2	Check boots (1g)	<ul style="list-style-type: none"> <li><input type="checkbox"/> Never check the bellows (1g) by pressing in or around the raised beads as this leads to damage to the bellows and thus to leaks in the long-term.</li> <li><input type="checkbox"/> Raise vehicle at front axle. Stretch bellows by turning the steering to the left and right while checking for damage (cracks, chafing marks and dents).</li> <li><input type="checkbox"/> Install new bellows (1g) if damage is found:</li> </ul> Remove/install bellows (1g): Model 168 except model 168.186 Model 168.186 Model 203 except model 203.08/09/28/29 Model 220 except model 220.067/08/163/167/179/18 Model 209, 215, 230 Model 203.08/09/28/29 Model 211.08/09/28/29 Model 220.08/18 Model 210 Model 211 except model 211.08/09/28/29 Model 220.067/163/167/179 Model 414.700	AR46.40-P-9998GC AR46.40-P-0400I AR46.40-P-0400PW AR46.40-P-0400A AR46.40-P-0400T AR46.40-L-9998VA
3	Check tie rod ball joint for play	<ul style="list-style-type: none"> <li><input type="checkbox"/> Check tie rod joints by pulling and pushing forcefully.</li> <li><input type="checkbox"/> In event of play on tie rod ball joint the tie rod (10) is to be replaced:</li> </ul> Remove/install tie rod (10) Model 168 except model 168.186 Model 168.186 Model 203 except model 203.08/09/28/29 Model 220 except model 220.08/18 Model 209, 215, 230 Model 203.08/09/28/29 Model 210 Model 211 except model 211.08/09/28/29 Model 211.08/09/28/29 Model 220.08/18	AR46.40-P-0200GC AR46.40-P-0200I AR46.40-P-0200PW AR46.40-P-0200C AR46.40-P-0200T AR46.40-P-0200TM AR46.40-P-0200IW

f		Model 414.700	AR46.40-L-0200VA
4	Check rubber boots of tie rod ends (10l) for signs of leaks and condition	If a rubber boot leaks: Replace tie rod (10):	
f		Model 168 except model 168.186	AR46.40-P-0200GC
f		Model 168.186	
f		Model 203 except model 203.08/09/28/29	AR46.40-P-0200I
f		Model 220 except model 220.08/18	
f		Model 209, 215, 230	
f		Model 203.08/09/28/29	AR46.40-P-0200PW
f		Model 210	AR46.40-P-0200C
f		Model 211 except model 211.08/09/28/29	AR46.40-P-0200T
f		Model 211.08/09/28/29	AR46.40-P-0200TM
f		Model 220.08/18	AR46.40-P-0200IW
f		Model 414.700	AR46.40-L-0200VA